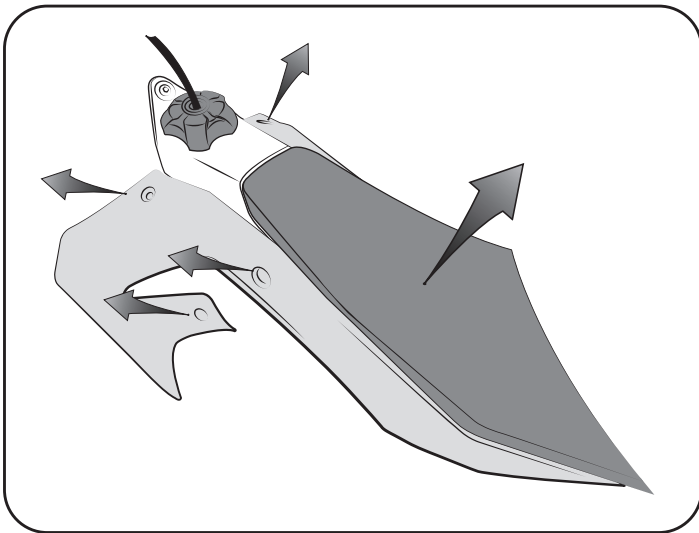


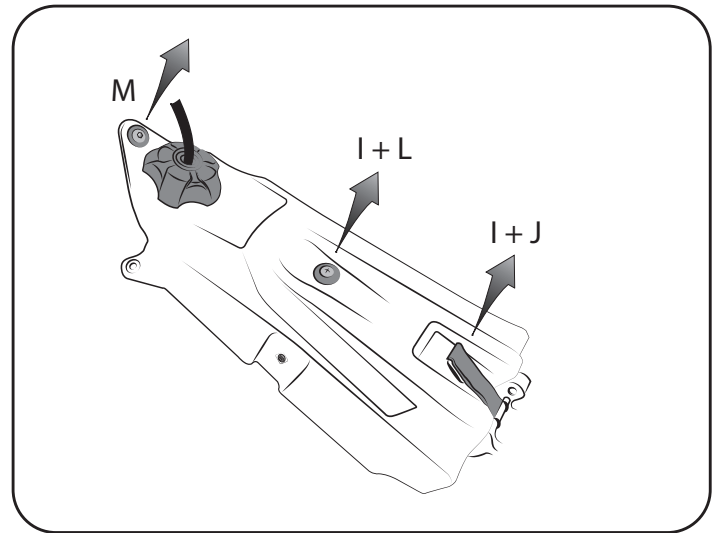
COD. 500006177

ACERBIS PARTS					O.E.M ITEMS TO USE:		
<b>A - (1pcs)</b>	<b>B - (1pcs)</b>	<b>C - (1pcs)</b>	<b>D - (1pcs)</b>	<b>E - (1pcs)</b>	<b>I - (2 pcs)</b>	<b>L - (1 pcs)</b>	<b>M - (1 pcs)</b>
					<b>F - (1 pcs)</b>	<b>G - (5 pcs)</b>	<b>H - (5 pcs)</b>



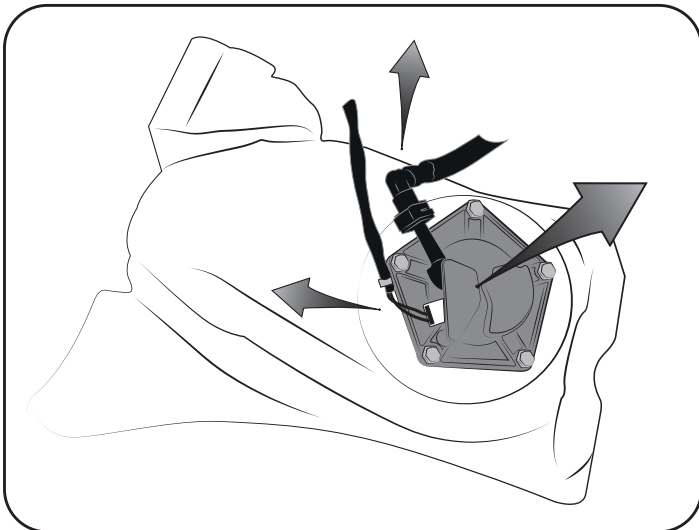
**1 - Remove the saddle and radiator shrouds from the stock tank.**

1 - Togliere la sella e i fianchetti originali.



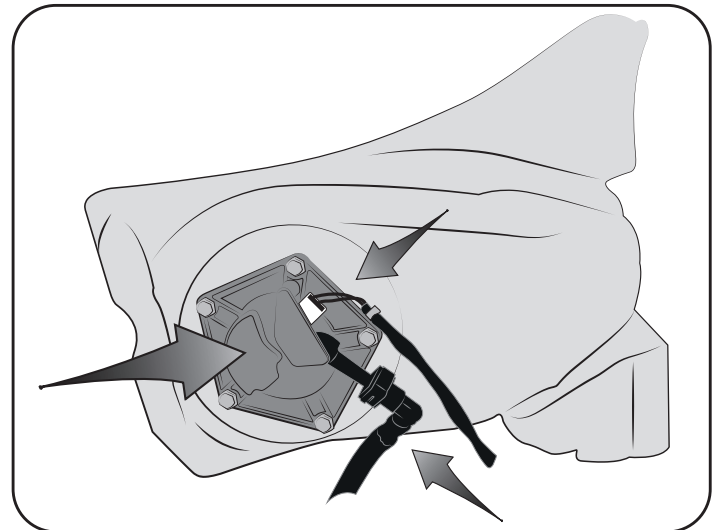
**2 - Disconnect the rubber clip (J), the (M) bolt, and the (I)+(L) bolt and bushing from the original tank.**

2 - Smontare dal serbatoio originale l'elastico J, la vite M, le viti I e la boccola L.



**3 - Raise the original tank and disconnect fuel line and wire harness from the fuel pump. Then empty any remaining fuel from the tank and remove the fuel pump (F) from the tank.**

3 - Sollevare il serbatoio originale e rimuovere le utenze. Svuotare il serbatoio dalla benzina e rimuovere la pompa.



**4 - Mount the Fuel pump (F) into the Acerbis tank (A) and reconnect the wire harness and fuel line. Torque the fuel pump bolts to no more than 6Nm.**

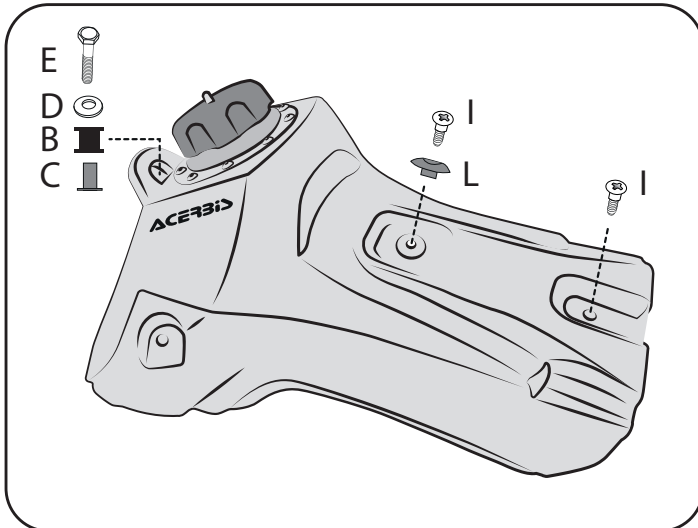
4 - Inserire la pompa nel serbatoio Acerbis. Riavvitare le viti (Torque max 6Nm) e collegare le utenze.

# KAWASAKI KXF 450 FUEL TANK - 11 Lt. - 2,9 Gal.

**ACERBIS**

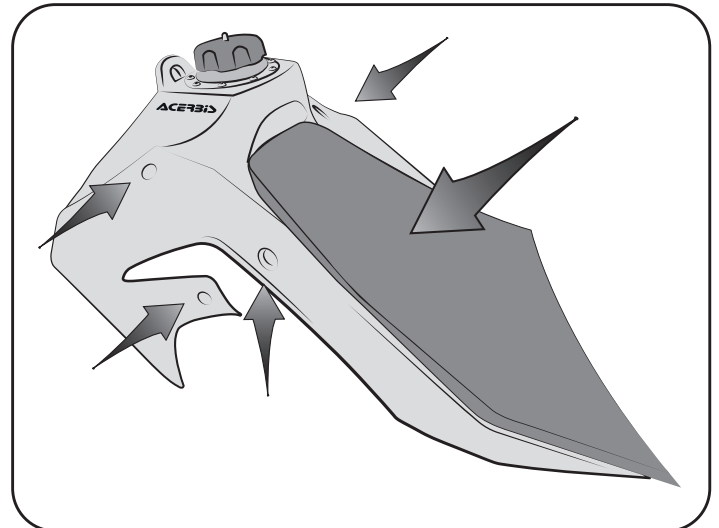
## SERBATOIO KAWASAKI KXF 450 - 11 Lt.

COD. 500006177



**5 - Insert the Rubber bushing (B) into the front mounting point on the tank. Then from the bottom insert the Metal bushing (C) into the bushing (B). Then from the top add the washer (D) and Bolt (E) and tighten the tank down onto the bike. Insert the seat screw and bushing (I)+(L) and re-connect the Rubber clip (J).**

5 - Posizionare il serbatoio Acerbis sulla moto. Fissarlo utilizzando il gommino B, la boccia C, la rondella E e la vite D. Inserire le viti della sella I, la boccia L, la vite attacco elastico J, e bloccarlo con l'elastico J originale.



**6 - Install the radiator shrouds and then install the seat making sure all the bolts are tight.**

6 - Rimontare i fianchetti fissando per prima la vite radiatore, infine rimontare la sella.

### LIBERATORIA

LIBERATORIA: A causa di variabili inponderabili nel processo stampaggio rotazionale dei serbatoi, questi possono differire in forma e dimensioni fino al 7% rispetto alla capacità dichiarata.

**FOR COMPETITION USE ONLY  
SOLO PER USO AGONISTICO**

**ACERBIS**

Thank you for purchasing an ACERBIS fuel tank

## WARNING

It is **EXTREMELY IMPORTANT** that the fuel tank be properly installed. To ensure proper installation, it is **STRONGLY RECOMMENDED** that the tank be installed only by a qualified OEM licensed dealership mechanic. Improper installation could result in serious injury or even death.

**If self-installed NOTE THE FOLLOWING.** Particular attention must be paid to excessive fuel line length and fuel line proximity to hot engine areas and pipes to prevent fire.

Clean tank interior thoroughly before installation. Install this fuel tank only in a well ventilated area, as gasoline fumes are extremely dangerous. Do not start or operate the vehicle if there are any fuel leaks! Read all instructions first before beginning installation.

## DISCLAIMER

Due to uncontrolled variables in the manufacturing process of rotationally molded fuel tanks, the fuel tank may vary in size and shape by up to 7% of the manufacturer's original listed capacity.

ACERBIS ITALIA S.P.A. VIA SERIO, 37 - 24021 ALBINO (BG) - ITALY

Phone +39 035773577 - Fax +39 035773570 - INFOMOTO@ACERBIS.IT - WWW.ACERBIS.COM

ACERBIS U.S.A. Inc.

MAIL P.O. BOX 2030 SUN VALLEY, ID 83353 SHIP 110 LINDSAY CIRCLE KETCHUM, ID 83340

Phone (800) 659-1440 - Fax (208) 726-7039 - INFOUSA@ACERBIS.COM

ACERBIS U.K. Ltd

UNIT 2 LUTON ENTERPRISE PARK SUNDON PARK ROAD LUTON, BEDFORDSHIRE LU3 3GU GREAT BRITAIN

Phone +44 1582491076 - Fax +44 1582499639 - UKINFO@ACERBIS.IT