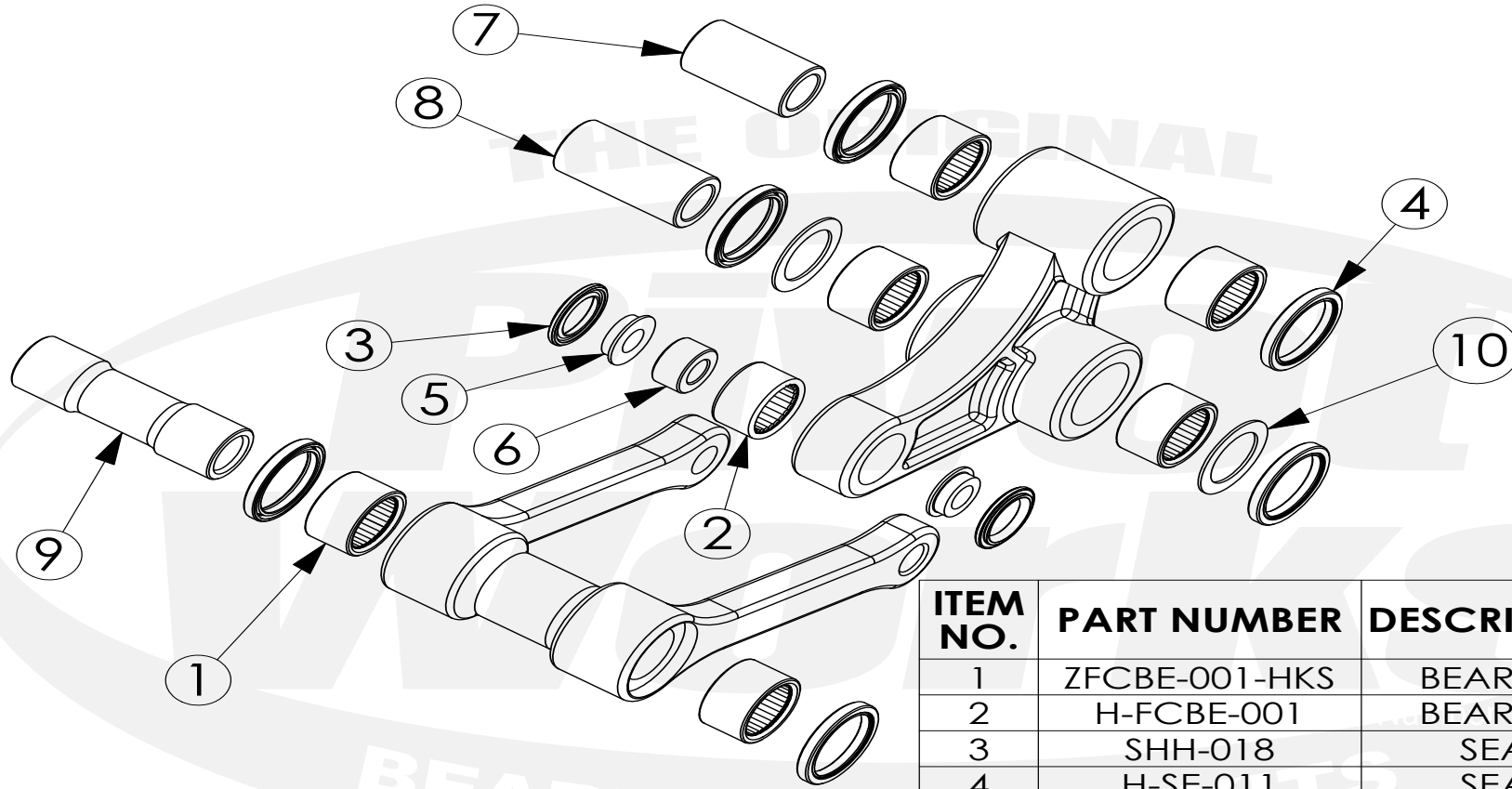


PWLK-H46-000



ITEM NO.	PART NUMBER	DESCRIPTION	QTY.
1	ZFCBE-001-HKS	BEARING	6
2	H-FCBE-001	BEARING	1
3	SHH-018	SEAL	2
4	H-SE-011	SEAL	6
5	H-CL-009	COLLAR	2
6	H-PI-012	PIN	1
7	H-PI-010	PIN	1
8	ZPI-001-HKS	PIN	1
9	H-PI-022	PIN	1
10	T-TW-001	WASHER	2