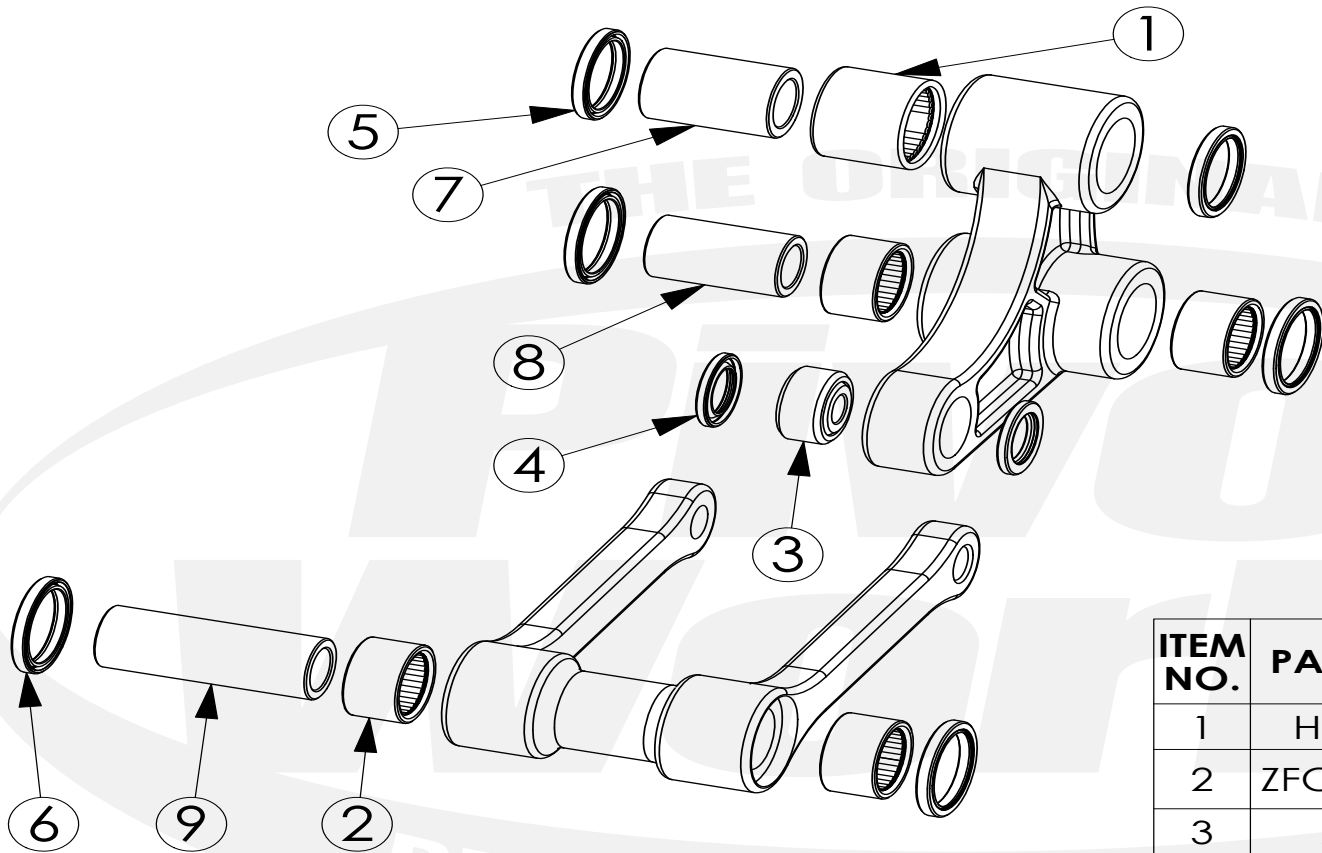


# PWLK-H71-000



ITEM NO.	PART NUMBER	DESCRIPTION	QTY.
1	H-FCBE-003	BEARING	1
2	ZFCBE-001-HKS	BEARING	4
3	ZSBE-002	BEARING	1
4	SHS-015	SEAL	2
5	H-SE-013	SEAL	2
6	H-SE-011	SEAL	4
7	H-PI-019	PIN	1
8	H-PI-015	PIN	1
9	H-PI-021	PIN	1